

# Conferencing Speakerphone

TZ200C

Omidirectional USB speakerphone, equipped beam forming microphone, built-in advanced algorithms, support AI noise reduction, sound mix and etc., cost-effective solution for medium-size conference room.



## Features

### ▼ Digital Microphone Array

Digital microphone array, beam forming, clear sound pickup at long distance.

### ▼ Pickup Weapon, Comfortable Communication

Adaptive sound field environment, automatic spokesman, voice enhancement, better anti-interference ability.

### ▼ Audio Algorithm

Built-in multiple audio algorithms, suppress indoor acoustic reverberation, reduce ambient noise, remove echo and howling, double talk without suppression, provide a comfortable listening experience.

### ▼ Plug and Play

Standard USB2.0 type-c and 3.5mm headphone audio interface, plug and play, no need for professional tuning, to meet the dual-mode application of digital and analog audio.

## Product Specification

### ▼ Microphone

Pickup Distance	6m
Frequency Response	50-16kHz
Directivity	Omnidirectional
Sampling Rate	32K sampling, HD wideband audio
Microphone	Built-in three omnidirectional microphone arrays, 360-degree omnidirectional pickup

### ▼ Speaker

Speaker	Full frequency speaker
Power	Max. 3W , effective power consumption 2.2W
Frequency Response	20-20kHz
Volume	85dBA

### ▼ Audio

Noise Suppression	Support
Gain Control	Support
Echo Delay	300ms

### ▼ Connection Method

Interface	1 × USB TYPE-C (SupportUAC) ; 1 x 3.5mm Audio interface
Key	5 x sense keys

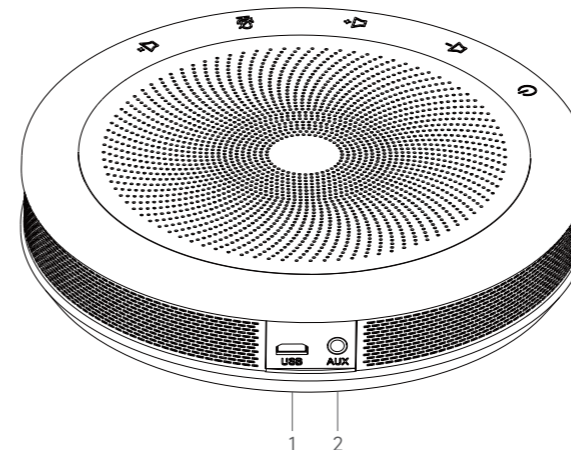
### ▼ Packing

Dimension	75mm (R) x 30mm (H)
Weight	0.48kg
Package Includes	Quick Installation Guide, USB cable, omnidirectional microphone

### ▼ Environmental Conditions

Power Supply	USB: 5V DC, Max. current: 450mA
Operating System Supported	Windows XP/Vista/7/8/10
Operating Temperature	0° -40° C
Storage Temperature	-30° -55° C
Relative Humidity	20-85% (non-condensing)

## Interface Diagram



1 — USB  
2 — AUX