

GT100

Zoom Rooms Kit

GT100 Zoom Rooms Kit includes an RC17 4K USB camera with auto-framing feature and a CM800 uniting microphones, speaker and meeting console all in one, and a microcomputer, which makes it perfectly suitable for huddle and small meeting room.



4K UHD

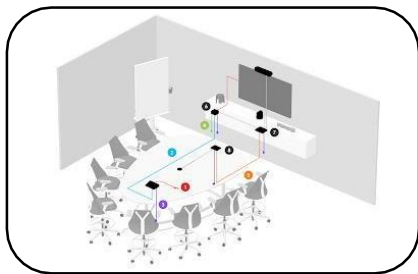
Auto Framing

All in One CM800



Three in one Design, Easy to Use

The CM800 intelligent control terminal integrates microphone, speaker, and conference console. It supports PoE power supply. A USB cable can be used for audio collection and playback, greatly simplifying deployment. With a 10.1-inch 1280x800 pixel hd multi-touch screen and Zoom Rooms control software, you can easily create/join a meeting, adjust the volume, mute the microphone, manage the meeting, and demonstrate on the desktop to greatly improve the efficiency of the meeting.



Exceptional Sound Quality

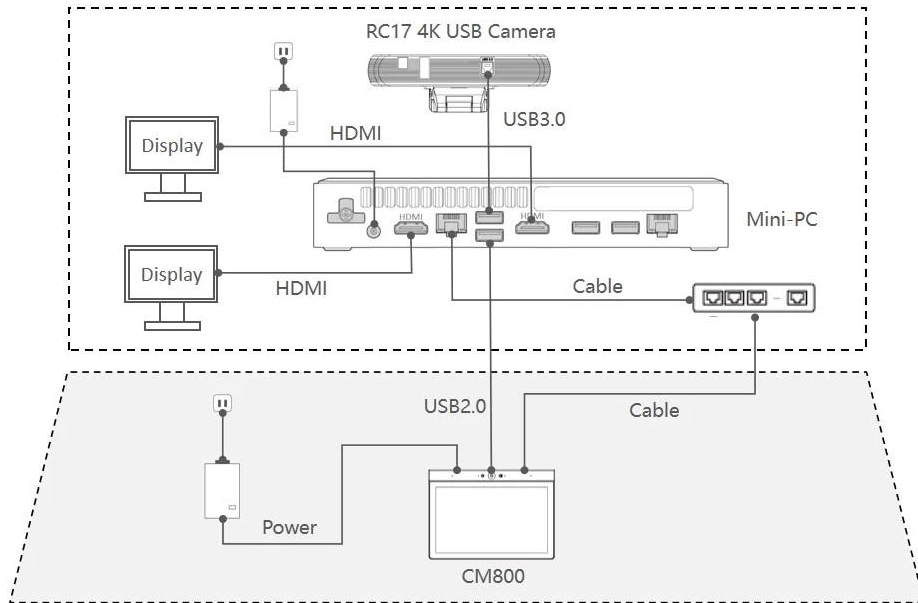
Built-in high sensitivity, high signal to noise ratio array microphones and high fidelity speakers with high performance automatic noise suppression, automatic gain control, automatic echo cancellation algorithms, pickup distance up to 6 meters, speaker power up to 10W. Up to 2 extension microphones can be connected to expand the pickup range by 2 times. The main mic and extension mic can be switched intelligently to make the pickup more clear and natural.



Premium Video Experience

RC10 4K USB ultra HD camera, support standard UVC protocol, plug and play. The new CMOS image sensor with high signal-to-noise ratio can effectively reduce the image noise in the case of low illumination. At the same time, 2D and 3D denoising algorithms are applied to reduce the image noise significantly, and the picture is still clean and clear even in the case of ultra-low illumination. Support WDR, easy to deal with different lighting environment, no matter how harsh the environment can restore the most real image, greatly improve the video conference experience.

Connection Diagram



Product Specifications

Mini Conference Room Solution Kit 3in1 (Fit for 10-15 Square Meters)

Main features

- Camera-4K Ultra HD USB Camera
Ultra 4K HD, USB 3.0, Wide angle up to 120°, EPTZ support, Built in Microphone with voice pickup distance up to 6 meters, Low Light, Auto framing, Easy Installation

- Controller-Smart Touch Screen Terminal
Integrated design, Android system, 10.1 inch IPS touch screen, Multi-Touch. Extension microphone (optional), Smart mixing, Built-in array microphone and speaker, Rich audio interface, PoE power supply

- Mini PC
Intel i5 4 core CPU, RAM 8GB, Hard Disk 128GB SSD, 2xHDMI output, Windows 10 IoT Enterprise x64.

Name

Conference Room Solution Kit

1---4K Camera

Video System	4k@30fps/25fps, 1080p@30fps/25fps, 720p@30fps/25fps, 960x540p@30fps/25fps, 640x360p@30fps/25fps etc
Sensor	1/2.5", CMOS, Effective Pixel: 8.29M
Lens	120°(DFOV) , 84° (Auto focus only)
Digital Noise Reduction	2D&3D digital noise reduction
Minimal Illumination	0.5 Lux @ (F1.8, AGC ON)
Backlight Compensation	Support
General specification	
Input Voltage	5V (USB power supply)
Current Consumption	600mA (MAX)
Operating Temperature	-10°C ~ 40°C (14°F ~ 104°F)
Net Weight	0.5KG
Storage Temperature	-40°C ~ 60°C (-40°F ~ 140°F)
Power Consumption	3.0W(MAX)
Size	194mm x 34mm x 42mm (without bracket)
MTBF	MTBF
USB features	
Connection type	1xUSB 3.0: Type B, female
Video Compression	H.264 / MJPEG /YUY2
USB audio	32K sampling rate, support UAC2.0
USB video communication protocol	UVC 1.1
UVC PTZ control	Support (EPTZ)
System compatibility	
OS	Windows®7 (1080p and under only), Windows 8.1, Windows 10 or higher, macOS™ 10.10 or higher, Google™ Chromebook™ Version 29.0.1547.70 or higher, Linux
Hardware platform	2.4 GHz Intel® Core 2 Duo processor or higher, 2 GB RAM or more, USB 2.0 port (USB 3.0 required for 4K)
Input/output interface	
HD output (Optional)	1xHDMI: Version 1.4
USB interface	1xUSB 3.0: Type B, female

2---Controller

Hardware platform	
Video codec	Encoder:H.264@1080P30, Decoder:H.264/H.265/VP8,1080P@60fps
Operating system	Android 8.1
CPU	4*Cortex-A35, 1.2GHz
GPU	ARM G31-2EE, support OpenGL ES1.1/2.0/3.2
Bluetooth	BT 5.0
Memory	2G RAM+8GB ROM
WIFI standard	IEEE802.11a/b/g/n/ac,WPA,WPA2
Video characteristics	
Touch screen	10.1 inch IPS touch screen, support, 10-point touch Resolution: 1280x800 Viewing angle: 170 degrees
Data content resolution	Input: HDMI input Encoding: 800x600, 1024x768, 1280x1024, 1280x720, 1920x1080
Audio characteristics	
Audio	Automatic echo cancellation (AEC) Automatic gain control (AGC) Automatic noise suppression (ANS) Flexible audio routing (FAR)

Interface	
Audio input interface	<ul style="list-style-type: none"> • 1 x built-in microphone array input • 1 x 3.5mm audio input and output • 1 x Bluetooth audio input and output • 1 x Type-C audio input and output • 2 x expansion microphone input
Audio output interface	<ul style="list-style-type: none"> • 2 x 5W built-in speakers • 1 x 3.5mm line input and output • 1 x 3.5mm line output • 1 x Bluetooth audio input and output • 1 x Type-C audio input and output
Video input interface	1 x HDMI
Network Interface	1 x RJ45: 10/100 Base-T, 1 x WiFi
USB interface	1 x USB2.0 Type-C
General characteristics	
Environment requirements	<ul style="list-style-type: none"> • Temperature: 0° C ~ 40° C (working state), -40 ° C ~ 70 ° C (non-working state) • Relative humidity: 10% ~ 80% (working state), 0% ~ 95% (non working state) • Surrounding noise: less than 46dBA SPL
Electrical characteristics	<ul style="list-style-type: none"> • Working voltage: DC 12V • Maximum power consumption: 36W
Size	244mmx74mmx176mm
Net Weight	1.075kg
3---Mini PC	
Intel® Core™ i5-8265U Processor (6M Cache, up to 3.90 GHz)	
Product Collection	8th Generation Intel® Core™ i5 Processors
Processor Number	i5-8265U
4K Support	Yes, at 60Hz
Cache	6 MB Intel® Smart Cache
Graphics Output	eDP/DP/HDMI/DVI
Max Resolution (HDMI)‡	4096x2304 @24Hz
Intel® NUC 8 Compute Element CM8i5CB	
Included Memory	8GB
Integrated Wireless‡	Intel® Wireless-AC 9560 + Bluetooth 5.0
Memory Types	LPDDR3-2133
Integrated Bluetooth	Yes
Intel® NUC Pro Chassis Element CMCM2FB	
Operating Systems	Windows 10
USB Configuration	USB3.1g2: 1 front, 2 rear ports USB2.0: 1 front port & 2 rear ports
Chassis Dimensions	200mmx150mmx35mm (w/ rubber feet)
Processor Graphics Output	Dual HDMI Out
Integrated LAN	Intel® i219-LM GbE and Intel® i211-AT GbE
Hard drive capacity	128GB SSD